

CHDD 8694  
HD 8694

Cooker Hood

Operating and Installation Instructions

**PERFEKT IN FORM UND FUNKTION**



---

# Contents

<b>Safety warnings</b>	<b>4</b>
For the user	4
For the installer	4
<b>Description of the Appliance</b>	<b>6</b>
Extractor version	6
Filter Version	7
<b>Hood Operation</b>	<b>8</b>
Using the Remote Control	9
Setting the Remote Control	9
Remote Control Maintenance	9
<b>Maintenance and care</b>	<b>10</b>
Metal grease filter	10
Open the metal grease filter	11
Charcoal filter	12
Changing the light bulb	13
<b>Special accessories</b>	<b>13</b>
<b>What to do if</b>	<b>14</b>
<b>Service and spare parts</b>	<b>15</b>
<b>Guarantee Conditions</b>	<b>16</b>
<b>Technical Details</b>	<b>17</b>
Mounting accessories included	17
<b>Electrical connection</b>	<b>17</b>
Safety warnings for the electrician	17
Wall unit mounting	18



# Safety warnings

## For the user

- The cooker hood is designed to extract unpleasant odours from the kitchen, it will not extract steam.
- Always cover lighted elements, to prevent excess heat from damaging the appliance. In the case of oil, gas and coal fired cookers it is essential to avoid open flames.
- Also, when frying, keep the deep frying pan on the cooker top/cooker under careful control.
- The hot oil in the frying pan might ignite due to overheating.
- The risk of self-ignition increases when the oil being used is dirty.
- It is extremely important to note that overheating can cause a fire.
- **Never carry out any flambé cooking under the hood.**
- **Always disconnect the unit from the power supply before carrying out any work on the hood, including replacing the light bulb** (take the cartridge fuse out of the fuse holder or switch off the automatic circuit breaker).
- **It is very important to clean the hood and replace the filter at the recommended intervals. Failure to do so could cause grease deposits to build up, resulting in a fire hazard.**

## For the installer

- When used as an extractor unit, the hood must be fitted with a 150mm diameter hose.
- Should there already be a pipe of diameter 125 mm that ducts to the outside through the walls or roof, it is possible to use the 150/125 mm reduction flange provided. In this case the hood will be slightly more noisy.
- **When installing the hood, make sure you respect the following minimum distance from the top edge of the cooking hob/ring surfaces:**

<b>electric cookers</b>	<b>600 mm</b>
<b>gas cookers</b>	<b>700 mm</b>
<b>coal and oil cookers</b>	<b>800 mm min.</b>

The hood can be installed above these heights but for optimum performance it should be installed at the distance quoted for the appropriate heat source.

- The national standard on fuel-burning systems specifies a maximum depression of 0.04 bar in such rooms.
- The air outlet must not be connected to chimney flues or combustion gas ducts. The air outlet must under no circumstances be

connected to ventilation ducts for rooms in which fuel-burning appliances are installed.

- It is advisable to apply for authorization from the relevant controlling authority when connecting the outlet to an unused chimney flue or combustion gas duct.

The air outlet installation must comply with the regulations laid down by the relevant authorities.

- When the unit is used in its extractor version, a sufficiently large ventilation hole must be provided, with dimensions that are approximately the same as the outlet hole.
- National and regional building regulations impose a number of restrictions on using hoods and fuel-burning appliances connected to a chimney, such as coal or oil room-heaters and gas fires, in the same room.
- Hoods can only be used safely with appliances connected to a chimney if the room and/or flat (air/environment combination) is ventilated from outside using a suitable ventilation hole approximately 500-600 cm<sup>2</sup> large to avoid the possibility of a depression being created during operation of the hood.
- If you have any doubts, contact the relevant controlling authority or building inspector's office.
- Since the rule for rooms with fuel burning appliances is "outlet hole of the same size as the ventilation hole", a hole of 500-600 cm<sup>2</sup>, which is to say a larger hole, could reduce the performance of the extractor hood.
- If the hood is used in its filtering function, it will operate simply and safely in the above conditions without the need for any of the aforementioned measures.
- When the hood is used in its extractor function, the following rules must be followed to obtain optimal operation:
  - short and straight outlet hose
  - keep bends in outlet hose to a minimum
  - never install the hoses with an acute angle, they must always follow a gentle curve only
  - keep the hose as large as possible (preferably the same diameter as the outlet hole).
- Failure to observe these basic instructions will drastically reduce the performance and increase the noise levels of the extractor hood.

# Description of the Appliance

- The cooker hood is designed to extract unpleasant odours from the kitchen, it will not extract steam.
- The hood is supplied as a filter unit (with charcoal filter already supplied and fitted) and can also be used with an extractor function function by removing the charcoal filter.

## Extractor version

- The air is discharged to the outside through a pipe, which must be fitted to connection flange **D**. **Fig. 1**.
- Remove the grease filters and remove the Charcoal Filter **K** from its housing by unscrewing the two screws that fix it to the hood. Refit the grease filters. **Fig. 2**.
- In order to obtain the best performance the hose should have a diameter equal to the outlet hole.

Should there already be a pipe of diameter 125 mm that ducts to the outside through the walls or roof, it is possible to use the 150/125 mm reduction flange provided. In this case the hood will be slightly more noisy.

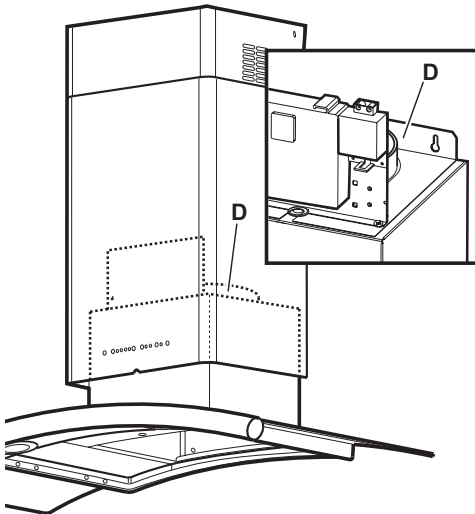


Fig. 1

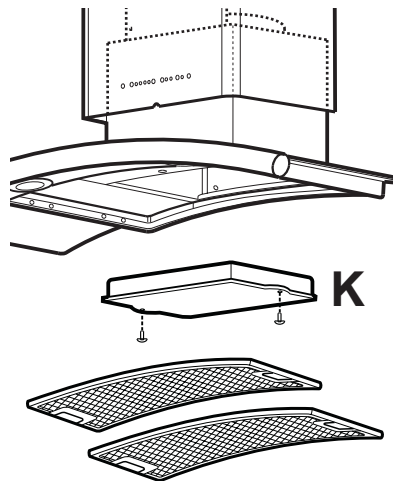


Fig. 2

## Filter Version

- The air is filtered through an AEG charcoal filter and returned to the kitchen through the top grill of the outlet pipe.
- You will need an original AEG charcoal filter for the filtering function.
- Fix the deflector **E** using 2 screws  $\varnothing$  3,5x6.5 mm. **Fig. 3.**
- Fix the connection flange **G** using 2 screws  $\varnothing$  3,5x6.5 mm. **Fig. 3.**

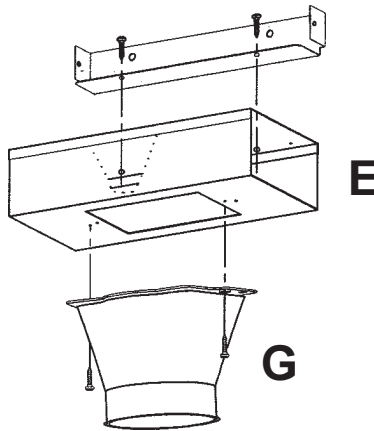
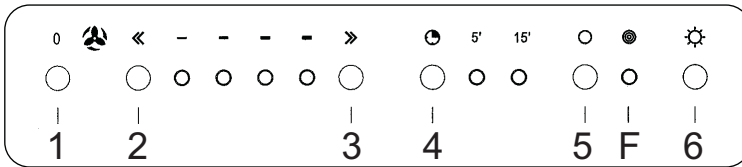


Fig. 3

# Hood Operation

- Best results are obtained by using a low speed for normal conditions and high speed when odours are more concentrated. Turn the hood on a few minutes before you start cooking then you will get an underpressure in the kitchen. It should be left on after cooking for about 15 minutes or until all odours have disappeared. The hood operation may be controlled via the control switches or with the remote control

The control switches are located on lower side of the chimney.



- 1** - Hood OFF.
  - 2** - Decreases the speed
  - 3** - Hood ON, Increases the speed
  - 4** - 5'/15' (minutes) timer  
push once for 5' timer, twice for 15' timer, 3 times to turn the timer OFF
  - 5** - Filter reset
  - 6** - Light ON/OFF
  - F** - Saturated filter indicator light
- **BUTTON 4:** Activates and deactivates the timer. Automatically turns the appliance off at the speed in operation. LED on = timer activated - Duration 5 or 15 minutes as set.
  - **BUTTON 5:** Once you have replaced the charcoal filters, press this button for at least 3 seconds until the light turns off
  - **BUTTON 4+5:** Remote control code programming. Keep both buttons pressed for at least 3 seconds. A beep will sound to indicate that the programming mode has been accepted. Without releasing the buttons, press any one of the remote control buttons. A beep will sound to indicate that the code has been accepted and stored.
  - **F LED:** Indicates that the charcoal filter is saturated. This LED is also ON when the hood is used in the extractor version, press **BUTTON 5** until the light turns off.



## Using the Remote Control

**Button 1** = ON / 1<sup>st</sup> Speed / 2<sup>nd</sup> Speed / 3<sup>rd</sup> Speed/4<sup>th</sup> Speed/OFF

**Button 2** = Timer ON/OFF

**Button 3** = Light ON/OFF

## Setting the Remote Control

Before using the remote control, first programme it with the hood:

Push Button 4+5, keep both buttons pressed for at least 3 seconds.

A beep will sound to indicate that the programming mode has been accepted.

Without releasing the buttons, press any one of the remote control buttons.

A beep will sound to indicate that the code has been accepted and stored.

## Remote Control Maintenance

Clean the remote control using non abrasive detergents.

Follow the instructions below in order to replace the battery for the remote control :

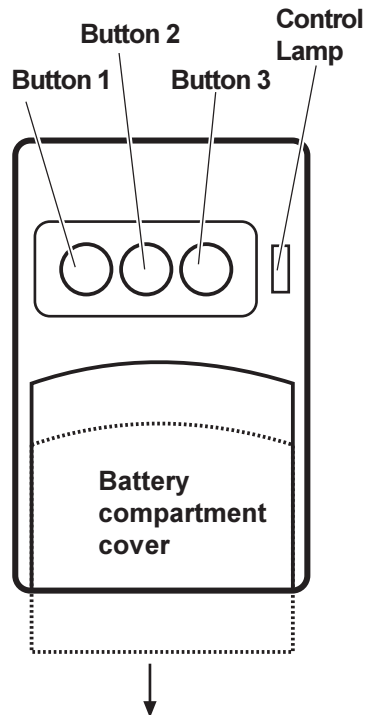
- Raise the cover on the base of the remote control, in order to access the battery compartment.
- Remove the old battery and replace it with a new battery type **23A 12V**
- Fit the new battery taking care to check the polarity as indicated on the base of the battery compartment.

### Warning!

**If the remote control doesn't work , do the following before calling your local AEG Service Force Centre:**

- Disconnect the hood from the mains.
- Reconnect the hood to the mains.
- Repeat the procedure described on paragraph "Setting the remote control"

Follow this procedure whenever the remote control doesn't work for any apparent reason (e.g.: dead battery).



# Maintenance and care

- **The hood must always be disconnected from the electricity supply before beginning any maintenance work.**
- Never insert pointed objects in the motor's protective grid.
- Wash the outside surfaces using a delicate detergent solution. Never use caustic detergents or abrasive brushes or powders.
- Only ever clean the switch panel and filter grille using a damp cloth and delicate detergents.
- It is extremely important to clean the unit and change the filters at the recommended intervals. Failure to do so will cause grease deposits to build up that could constitute a fire hazard.

## Metal grease filter

- The purpose of the grease filters is to aspirate grease particles which form during cooking and it **must** always be used, either in the external evacuation or internal recycling function.  
Attention: the metal grease filters must be removed and washed, either by hand or in the dishwasher, every four weeks.

## Open the metal grease filter

- First, push both metal grease filter handles towards the centre, then extract the filter **M**, pulling downwards. **Fig. 4**. Repeat the steps with the second filter.

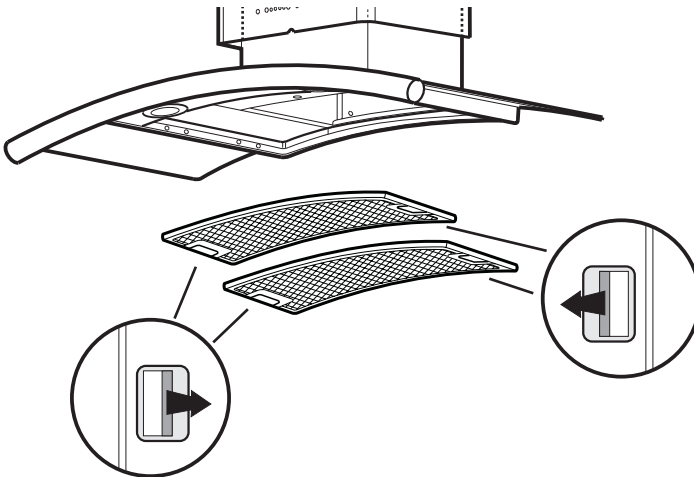
### Hand washing

Soak grease filters for about one hour in hot water with a grease-loosening cleaner, then rinse off thoroughly with hot water. Repeat the process if necessary. Refit the grease filters when they are dry.

### Dishwasher

Place grease filters in the dishwasher. Select most powerful washing programme and highest temperature, at least 65°C. Repeat the process. Refit the grease filters when they are dry. When washing the metal grease filter in the dishwasher a slight discolouration of the filter can occur, this does not have any impact on its performance.

- Clean the inner housing using a hot detergent solution only (never use caustic detergents, abrasive powders or brushes).



**Fig. 4**

## Charcoal filter

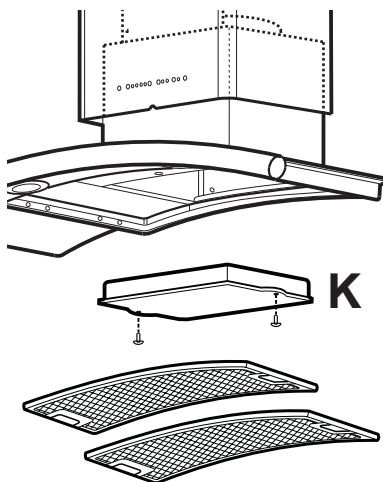
- The charcoal filter is already supplied and mounted in place.
- The charcoal filter should only be used if you want to use the hood in its filtering function.
- Only applicable for recirculation. The charcoal filters absorb smells and odours.
- The charcoal filter cannot be washed nor regenerated. The charcoal filter should be replaced every 6 months under normal use. Replacement filters are available from your local Service Force Centre.

### **Fitting** the charcoal filter:

- Unplug the unit or disconnect it from the power supply
- Remove the metal grease filter. **Fig. 4**
- Fit the charcoal filter and fix it to the body of the hood with two supplied screws. **Fig. 5**.
- Refit the metal grease filters.

### **To remove** proceed in reverse order.

- Always specify the hood model code number and serial number when ordering replacement filters. This information is shown on the registration plate located on the inside of the unit.
- The charcoal filter can be ordered from your local Service Force Centre.



**Fig. 5**



## Warning

- Failure to observe the instructions on cleaning the unit and changing the filters will cause a fire hazard. You are therefore strongly recommended to follow these instructions.
- The manufacturer declines all responsibility for any damage to the motor or any fire damage linked to inappropriate maintenance or failure to observe the above safety recommendations.

## Changing the light bulb

- Disconnect the cooker hood from the main supply.
- Remove the lamp cover, use a screw driver as a lever. **Fig. 6.**
- Replace the old bulb with a new one of the same type.
- Remount the lamp cover.
- If the light does not come on, make sure the bulb has been inserted correctly before contacting your local Service Force Centre.



Fig. 6

## Special accessories

Charcoal filter Type 160

## What to do if

If your appliance fails to work properly please carry out the following checks.

Symptom	Solution
The cooker hood will not start...	Check that: The hood is connected to the electricity supply. Check that a fan speed has been selected
The cooker hood is not working effectively..	Check that: The fan speed is set high enough for the task. The grease filters are clean. The kitchen is adequately vented to allow the entry of fresh air. If set up for recirculation, check that the charcoal filter is still effective. If set up for extraction, check that the ducting and outlets are not blocked.
The cooker hood has switched off during operation...	The safety cut-out device has been tripped. Turn off the hob and then wait for the device to reset. If the hood has been installed below the heights indicated in the installation instructions the motor will cut-out frequently which will damage the hood.

If after all these checks, the problem persists, contact your local Service Force Centre, quoting the model and serial number.  
Please note that it will be necessary to provide proof of purchase for any in-guarantee service calls.  
In-guarantee customers should ensure that the above checks have been made as the engineer will make a charge if the fault is not a mechanical or electrical breakdown.

---

## Service and spare parts

In the event of your appliance requiring service, or if you wish to purchase spare parts, contact your local AEG Service Force Centre by telephoning

**08705 929 929**

Your call will be automatically routed to the Service Centre covering your post code area.

For the address of your local Service Force Centre and further information about Service Force, please visit the website at [www.serviceforce.co.uk](http://www.serviceforce.co.uk)

Please ensure that you have read the section „What to do if...“ as the engineer will make a charge if the fault is not a mechanical or electrical breakdown even the appliance is under warranty.

**Please note that proof of purchase is required for in-guarantee service calls.**

### Help us to help you

Please determine your type of enquiry before writing or telephoning.

When you contact us we need to know:

- Your name
- Address and post code
- Telephone number
- Clear and concise details of the fault
- Name and model of the appliance\*
- E number\*

\* This information can be found on the rating plate, which can be seen when the grease filters are removed.

### Customer Care

For general enquiries concerning your AEG appliances, or for further information on AEG products, please contact our Customer Care Department at the address below or visit our website at [www.aeg.co.uk](http://www.aeg.co.uk)

Customer Care Department  
AEG Domestic Appliances  
55-77 High Street  
Slough  
Berkshire  
SL1 1DZ  
Tel.: 08705 350 350\*

\* calls to this number may be recorded for training purposes.

# Guarantee conditions

## Guarantee Conditions

AEG offer the following guarantee to the first purchaser of this appliance.

1. The guarantee is valid for 12 months commencing when the appliance is handed over to the first retail purchaser, which must be verified by purchase invoice or similar documentation. The guarantee does not cover commercial use.
2. The guarantee covers all parts or components which fail due to faulty workmanship or faulty materials. The guarantee does not cover appliances where defects or poor performance are due to misuse, accidental damage, neglect, faulty installation, unauthorised modification or attempted repair, commercial use or failure to observe requirements and recommendations set out in the instruction book. This guarantee does not cover such parts as light bulbs, removable glass-ware or plastic.
3. Should guarantee repairs be necessary the purchaser must inform the nearest customer service office (manufacturer's service or authorised agent). AEG reserves the right to stipulate the place of the repair (i.e. the customer's home, place of installation or AEG workshop).
4. The guarantee or free replacement includes both labour and materials.
5. Repairs carried out under guarantee do not extend the guarantee period for the appliance. Parts removed during guarantee repairs become the property of AEG.
6. The purchaser's statutory rights are not affected by this guarantee.

## European Guarantee

If you should move to another country within Europe then your guarantee moves with you to your new home subject to the following qualifications:

- The guarantee starts from the date you first purchased your product.
- The guarantee is for the same period and to the same extent for labour and parts as exist in the new country of use for this brand or range of products.
- This guarantee relates to you and cannot be transferred to another user.
- Your new home is within the European Community (EC) or European Free Trade Area.
- The product is installed and used in accordance with our instructions and is only used domestically, i.e. a normal household.
- The product is installed taking into account regulations in your new country.

Before you move please contact your nearest Customer Care Centre, listed below, to give them details of your new home. They will then ensure that the local Service Organisation is aware of your move and able to look after you and your appliances.

France	Senlis	+33 (0) 44 62 29 29
Germany	Nürnberg	+49 (0) 911 323 2600
Italy	Pordenone	+39 (0) 1678 47053
Sweden	Stockholm	+46 (0) 8 738 7910
UK	Slough	+44 (0) 1753 219899



# Technical Details

## Dimensions - extractor version (in cm):

Height - Width - Depth	78,5/120 - 89,8 - 50,5
<b>Maximum absorbed power:</b>	340 W
Motor absorption:	1 x 300 W
Lighting:	2 x 20W
<b>Length of the cable:</b>	120 cm

## Mounting accessories included

- 1 deflector
- 1 chimney support
- 1 reduction flange Ø 125-120 mm
- 1 remote control
- 1 charcoal filter (already fitted)
- 1 support bracket
- 8 wood-screws 5 x 45 mm (for wall mounting - 2 as spare parts)
- 8 wall plugs Ø 8 mm (for wall mounting - 2 as spare parts)
- 6 washers (2 for chimney support - 2 for lower fixing - 2 as spare parts)
- 6 metal screws 3,5 x 9,5 (for chimney, deflector and connection flange - 2 as spare parts)
- 2 metal screws 3,5 x 6,5 (for connection block and circuit board support).

*We reserve the right to change specifications and colours as a result of our policy of continuing technological development.*

## Electrical connection

### Safety warnings for the electrician

The electric outlet should be placed on the wall inside the chimney. The hood has a power cable, 150 cm, with earth connection and the rated voltage is 220 - 240 V.

Connect the hood to the mains supply via a double pole switch which has 3 mm minimum separation between the contacts.

The switch must be accessible at all times.

The following is valid in the United Kingdom only:

- the wire which is coloured green and yellow must be connected to the terminal which is marked with the letter E or by the earth symbol (  $\perp$  ), or coloured green or green and yellow;
- the wire which is coloured blue must be connected to the terminal which is marked with the letter N or coloured black, -
- the wire which is coloured brown must be connected to the terminal which is marked with the letter L or coloured red.

## Wall unit mounting - Fig. 7

- Mark the wall with a centre line, this will aid mounting procedure **(1)**, position the template so that the mid line printed on the template matches with the centre line previously drawn, the lower side of the template corresponds to the lower side of the hood once mounted **(2)**.
  - Drill four holes  $\varnothing$  8mm and fit four wall plugs **(3)**.
  - Drill two holes  $\varnothing$  8mm on the upper side close to the ceiling **(4)** use the chimney support as a template, check that the mid of the chimney support corresponds to the mid of the centre line previously drawn, fit two wall plugs.
- Note: ONLY** in case the hood is to be used in **filter version**, mount the deflector **E** on the chimney support and the connection flange **G** with two screws each **(5)**.
- Fix the chimney support onto the wall with two screws and washers **(6)**.
  - Hang the hood **(7)**, remove the grease filters and fix it definitively with two screws and washers **(8)**, check that all four screws are securely tightened.
  - Fit an exhausting pipe **(9)** to connect the outlet hole **D** of the hood to the connection flange **G** of the deflector **E** (Filter version) or to the outside (Extractor version).
  - Make electrical connection **(10)**, but leave the hood disconnected from the mains supply.
  - Fix the circuit board and connection block unit on the top side of the hood with two screws (boxes facing frontwards) **(11)**.
  - Place the cable clamp in the corresponding housing **(12)**.
  - Position the chimney and secure them in place, first up **(13a)** to the chimney support **(13b)**, then slide it downwards making sure the cable clamp **(step 12)** is seated in the housing on chimney **(14)** and that the control buttons match with the corresponding openings **(15)**.
  - Adjust the position of the push-button box using two screws from the inside of the motor housing **(16)**.
  - Fix the lower section of the chimney with two screws from the inside of the hood **(17)**.
  - Refit the grease filters, connect the hood to the home general electric panel and check if the hood work properly.

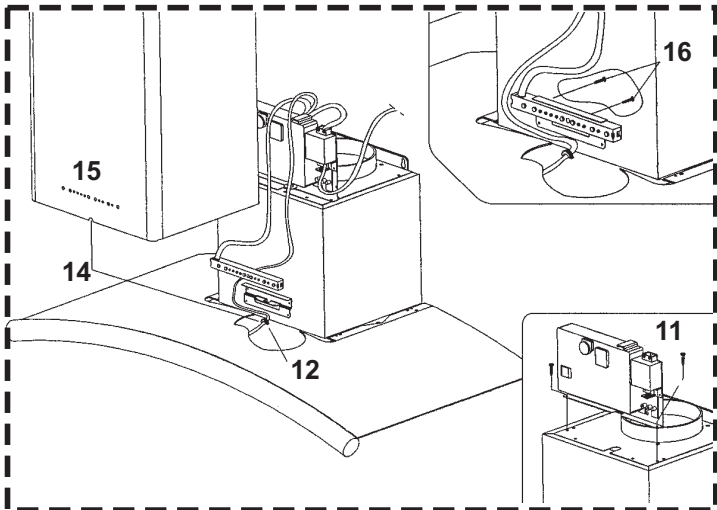
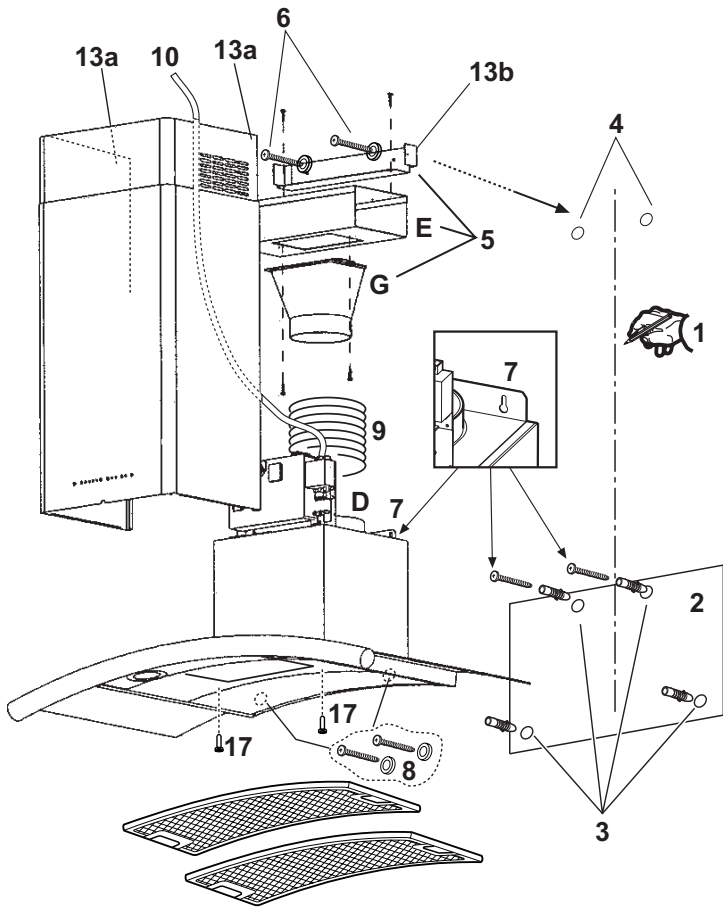


Fig. 7



**From the Electrolux Group. The world's No.1 choice.**

*The Electrolux Group is the world's largest producer of powered appliances for kitchen, cleaning and outdoor use. More than 55 million Electrolux Group products (such as refrigerators, cookers, washing machines, vacuum cleaners, chain saws and lawn mowers) are sold each year to a value of approx. USD 14 billion in more than 150 countries around the world.*

**AEG Hausgeräte GmbH  
Postfach 1036  
D-90327 Nürnberg**

**<http://www.aeg.hausgeraete.de>  
<http://www.aeg.co.uk>**

**© Copyright by AEG**

**L11ØBC Ed. 04/04**